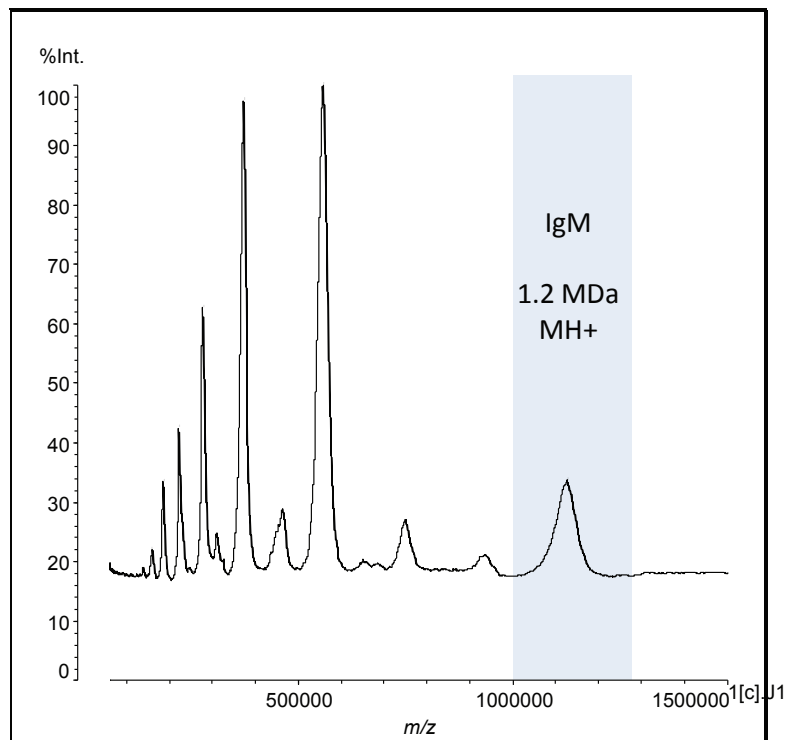


Direct MegaDalton Measurement using AXIMA MegaTOF™

- High-sensitivity high mass detector (10 kDa -1.5 MDa)
- Conventional detector (electron multiplier) for low mass (<10 kDa)
- 15-second changeover time
- Stabilization of molecule using crosslinking reagent kits



Successful measurement of IgM at 1.1MDa using the AXIMA MegaTOF.

Applications

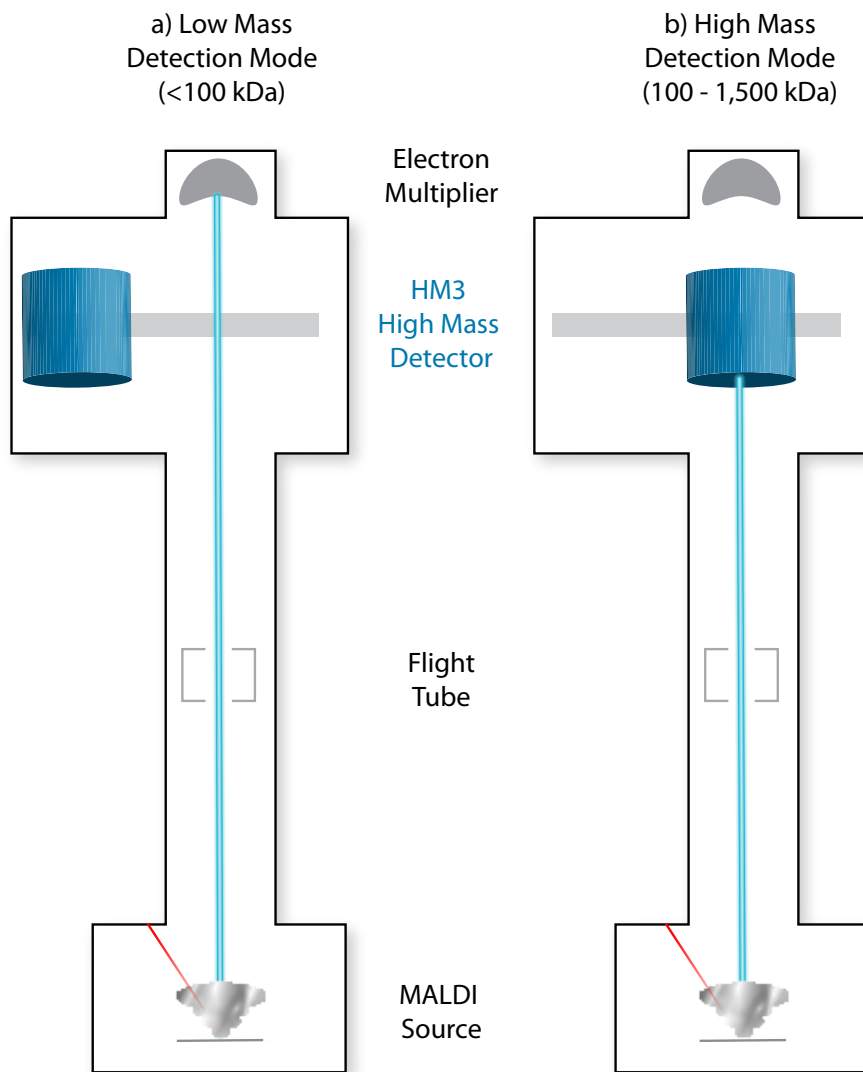
- **Antibody Characterization**
 - Antibody-Antigen interactions
 - Epitope mapping
 - Sandwich assays
- **Therapeutic Protein Aggregates**
- **Inhibitors of Protein-Protein Interactions**
- **Protein Complexes Characterization**
- **PEG Protein Characterization**
- **High-Mass MALDI Imaging**
- **Plasma Screening**
- **Polymer Analysis**

Shimadzu and CovalX have partnered to offer an integrated MALDI solution for ultra high-mass applications.

For more information, visit:

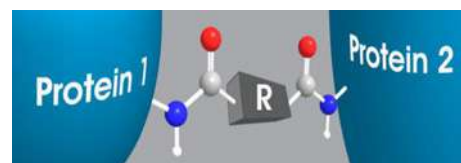
www.ssi.shimadzu.com

AXIMA
MegaTOF



MALDI Stabilization

To analyze intact protein complexes by High-Mass MALDI-TOF mass spectrometry, it is crucial to stabilize the complexes with highly efficient cross-linking reagents. CovalX has developed dedicated reagents and buffers to prepare non-covalent protein complexes for High-Mass MALDI analysis. To increase crosslinking efficiency, the reagents contain 'cocktails' of cross-linkers with different spacer lengths able to covalently bind specific protein complexes with a high degree of efficiency. The specificity of these cross-linking reagents facilitates the stabilization of covalent protein complexes even in contaminated or unpurified samples¹.



¹ "Reactivity and Applications of New Amine Reactive Cross-Linker for Mass Spectrometry Detection of Protein Complexes," Bich C., Maedler S., Chiesa K., DeGiacomo F., Bogliotti N., Zenobi R., Anal. Chem, 2010, 82 (1), 172-179.

Schematic of the MegaTOF™ system in a) low mass mode and b) high mass mode

- Standard detector remains
- Takes approximately 15 seconds to change positions
- Low saturation for complex mixtures

AXIMA MegaTOF Detector

Active area	19mm
Acceleration Voltage	Typically 20kV
Gain Voltage	Up to 4.5kV
Mass range	0.2-1.5 MDa
Response time	350ns
Resolution	180 at 200kDa
Limit of Detection	300nM IgM



SHIMADZU Corporation
www.shimadzu.com/an/

SHIMADZU SCIENTIFIC INSTRUMENTS
7102 Riverwood Drive, Columbia, MD 21046, USA
Phone: 800-477-1227/410-381-1227
Fax: 410-381-1222
www.ssi.shimadzu.com

Company names, product/service names and logos used in this publication are trademarks and trade names of Shimadzu Corporation or its affiliates, whether or not they are used with trademark symbol "TM" or "®".
Third-party trademarks and trade names may be used in this publication to refer to either the entities or their products/services. Shimadzu disclaims any proprietary interest in trademarks and trade names other than its own.

For Research Use Only. Not for use in diagnostic procedures.
The contents of this publication are provided to you "as is" without warranty of any kind, and are subject to change without notice. Shimadzu does not assume any responsibility or liability for any damage, whether direct or indirect, relating to the use of this publication.